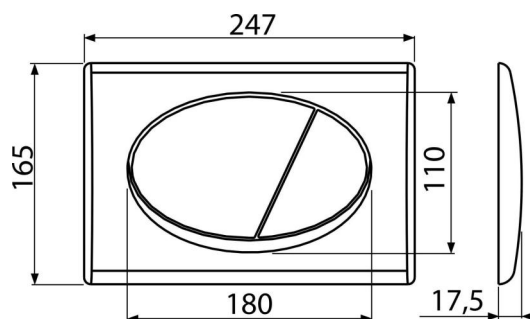


M71

Flush plate for pre-wall installation systems, chrome-polished



Application

For pre-wall installation systems and concealed WC cisterns

Features

- Double-acting mechanical flushing
- Compatible for all pre-wall installation systems and cisterns for building into solid walls Alca
- Surface finish: chrome-polished
- Material: plastic

Scope of supply

- Flush plate
- Fixing frame of the flush plate
- Threaded frame clamp 2 pcs
- Flushing mechanism screws 2 pcs
- Template for correct flush plate setup

Order number, Logistic information

Code	EAN	Weight (piece packing palett)	Dimensions (piece packing)	Quantity (packing palett)
M71	8594045936209	0,40 10,09 302,6 kg	250×40×175 595×245×395 mm	25 700 pcs

Warranty

2/2 years *

Technical specifications

- Operating force < 20 N